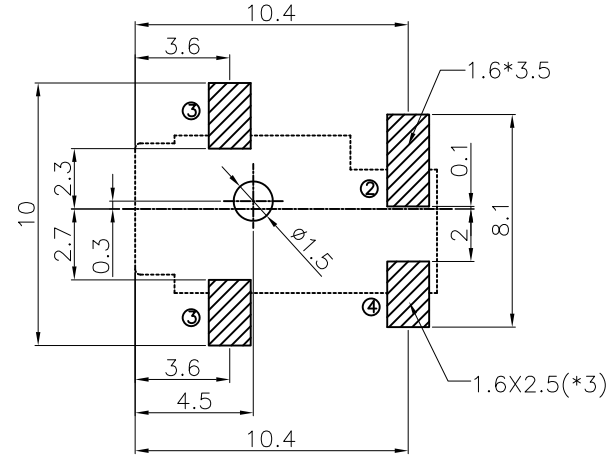
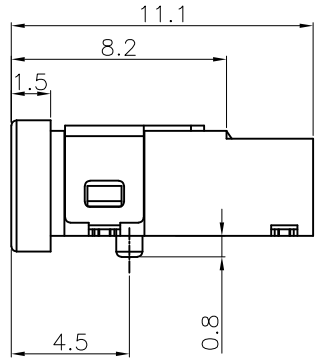
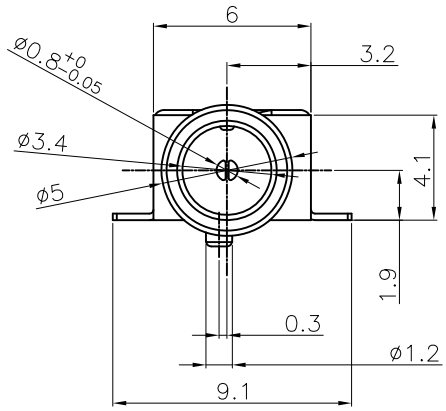


1 2 3 4 5 6 7 8 9

A

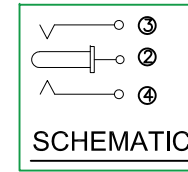
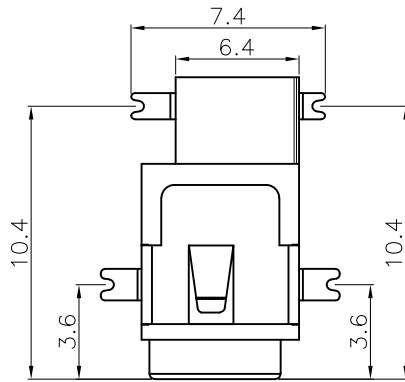
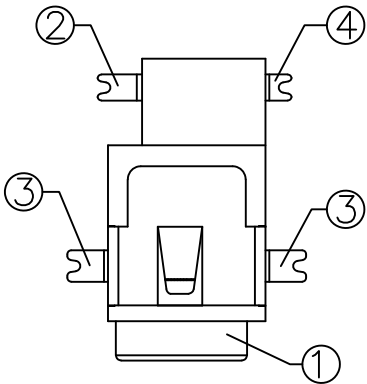


P. C. B. LAYOUT  
(TOP VIEW)

B

C

D



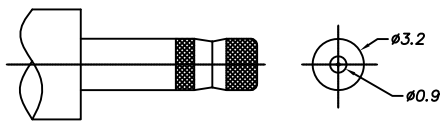
SPECIFICATION

- 1. Rating : DC 30V 1A;
- 2. Contact resistance:  $\leq 30m\Omega$ ;
- 3. Insulation resistance:  $\geq 100M\Omega$ ;
- 4. Withstand voltage: 500VAC ;
- 5. Insertion and extraction force: 3-30N;
- 6. life test: 5,000 cycles.

| NO. | DESCRIPTION  | QTY | MATERIAL | REMARK     |
|-----|--------------|-----|----------|------------|
| ④   | Tip spring 2 | 1   | Bronze   | Au plating |
| ③   | Tip spring 1 | 1   | Bronze   | Au plating |
| ②   | Center pin   | 1   | Brass    | Au plating |
| ①   | Housing      | 1   | PPA      | Black      |

E

F



DC MATE PLUG

| 版本 | 修改事項 | 修改日期 |
|----|------|------|
|    |      |      |
|    |      |      |
|    |      |      |

|  |         |          |            |  |   |
|--|---------|----------|------------|--|---|
| <h1>KEM 奇速科技有限公司</h1> <p>Qi-Speed Technology CO., LTD.</p> |         |          |            | 產品名稱:<br>PRODUCT NAME<br><b>DC JACK Ø0.8</b> |   |
|  |         |          |            | 料號:KDCS-508-0.8<br>PART NUMBER               |   |
| 單位: mm   | 繪圖      | 設計       | 審核         | 核准   | 圖號:KDCS-508-0.8-1<br>DRAWING NO<br>版本: REV. 0 |
| 比例:  | DRAWING | DESIGNED | CHECKED BY | APPROVAL BY                                  |   |
| 公差: .X ±0.30<br>.XX ±0.25<br>.XXX ±0.15                    | JOHNY   | JOHNY    | LUKE       | JAMES  |   |
| 日期: 2021/6/10  |         |          |            |  |   |

1 2 3 4 5 6 7 8 9