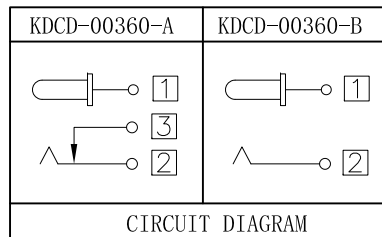


Specification:

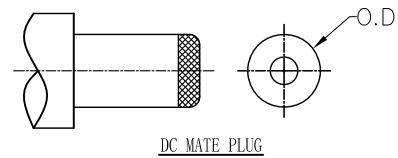
1. Rating : DC 20V 3A;
2. Contact resistance: $\leq 50m\Omega$;
After test: $\leq 100m\Omega$
3. Insulation resistance: $\geq 100M\Omega$ (500VDC);
After test: $\geq 50M\Omega$
4. Withstand voltage: 500VAC ;
5. Insertion and extraction force: 3N~30N;
6. life test: 5000cycles ;
7. Operation temperature range: $-20^{\circ}C \sim 70^{\circ}C$
8. Preservative temperature range: $-40^{\circ}C \sim 85^{\circ}C$

* SIGN "X" IS IMPORTANCE DIMENSION

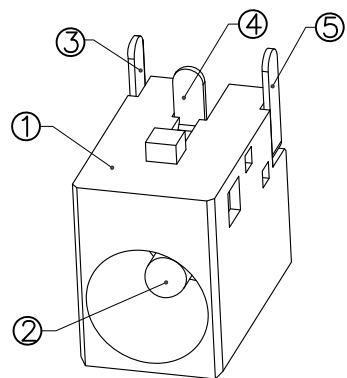
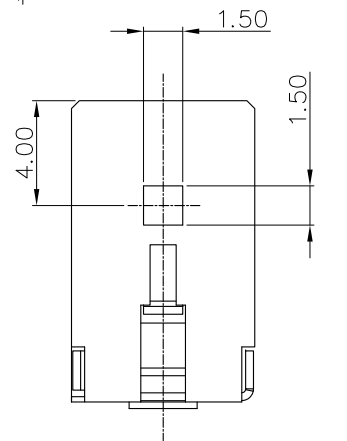
XX=PIN	$\phi 1.65$	$\phi 2.0$	$\phi 2.5$
DC MATE PLUG	$\phi 4.75$	$\phi 5.5$	$\phi 5.5$



□ : TERMINAL NO.



NO.	DESCRIPTION	Q' TY	MATERIAL	REMARK	
⑤	Shunt terminal	3	1	Brass	Ag Plating
④	Tip spring	2	1	SUS301-1/2H	Ag Plating
③	Center pin terminal	1	1	Brass	Ag Plating
②	Center pin		1	H65	Ni Plating
①	Housing		1	PBT4815, UL 94V-0	Black



KEM 奇速科技有限公司
Qi-Speed Technology CO., LTD.

產品名稱:
PRODUCT NAME
DC POWER JACK

單位 : mm	繪圖	設計	審核	核准	料號:KDCD-00360-X-XX PART NUMBER
比例:	DRAWING	DESIGNED	CHECKED BY	APPROVAL BY	
公差 : .X ± 0.50 .XX ± 0.30 .XXX ± 0.15	JOHNY	JOHNY	LUKE	JAMES	圖號:KDCD-00360-X-XX DRAWING NO
版本	修改事項	修改日期	日期: 2018/4/25		版本: REV. 0