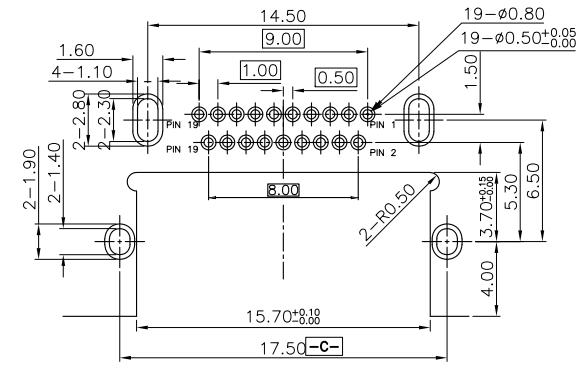
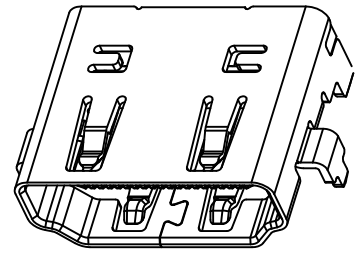
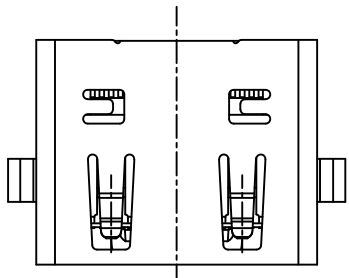


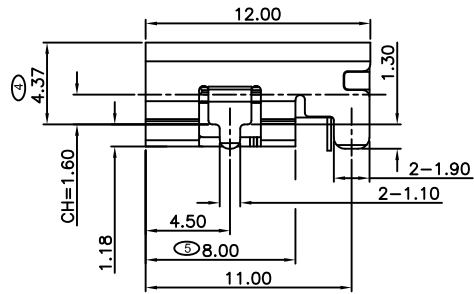
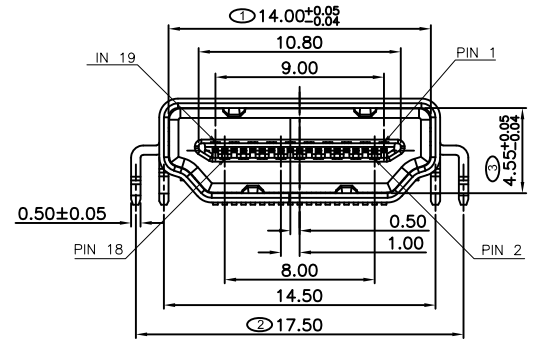
1 2 3 4 5 6 7 8 9

A



RECOMMENDED P.C.B. LAYOUT
TOLERANCE UNSPECIFIED ±0.05mm

B



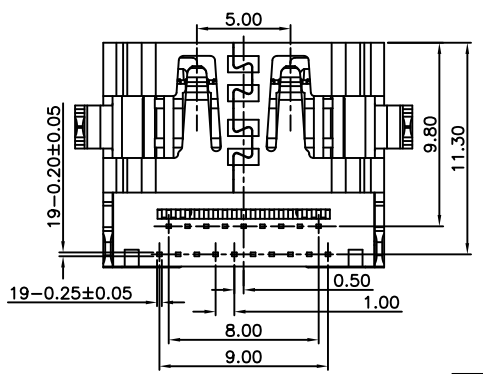
NOTES:

- 1.ELECTRONIC:
CONTACT RESISTANCE: 20mohm MAX
INSULATION RESISTANCE: 1000 Mohm MIN
WITHSTAND VOLTAGE:AC 500V,1min.
- 2.MECHANICAL:
DURABILITY: 10000 CYCLE.
- 3.ENVIRONMENT CHARACTERISTICS:
OPERING TEMPERATURE:-25°C TO +85°C
- 4.RECOMMANDER PCB THICKNESS 1.2 TO 1.60MM
- 5.MATERIAL LIST:

3	SHELL	1	COPPER ALLOY T=0.50	NI PLATED
2	CONTACT	19	COPPER ALLOY T=0.20	AU PLATED
1	HOUSING	1	THERMOPLASTIC(LCP)	(UL 94V-0) BLACK
No.	PART NAME	QTY	MATERIAL	REMARK

※ SIGN “(X)” IS IMPORTANCE DIMENSION

D



E

<h1>KEM 奇速科技有限公司</h1> <h2>Qi-Speed Technology CO., LTD.</h2>				產品名稱: PRODUCT NAME HDMI AF沉板 DIP H4.37MM	
				料號:KHD17-117C40-100 PART NUMBER	
單位: mm		繪圖	設計	審核	核准
比例:		DRAWING	DESIGNED	CHECKED BY	APPROVAL BY
公差: .X ±0.38 .XX ±0.25 .XXX ±0.13		JOHNY	JOHNY	LUKE	JAMES
版本	修改事項	修改日期	日期: 2022/4/18	圖號:KHD17-117C40-100-1 DRAWING NO	
				版本: REV. 0	

F

1 2 3 4 5 6 7 8 9