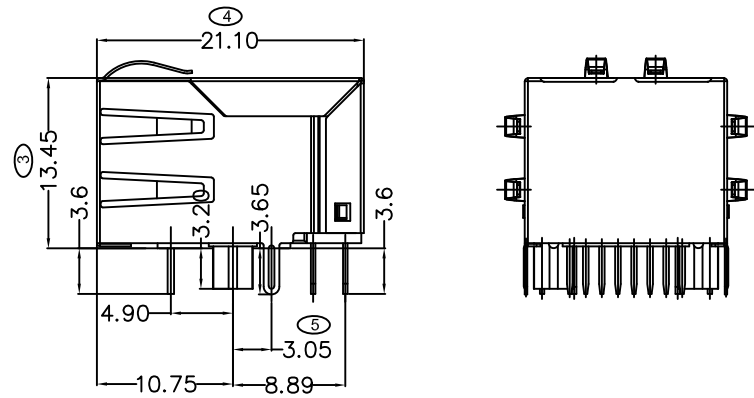
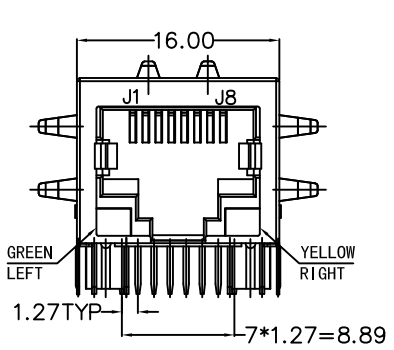


1 2 3 4 5 6 7 8 9

A



**MATERIAL:**

HOUSING: PBT,UL94V-0,BLACK.  
 TERMINALS BRACKET: PBT,UL94V-0,BLACK.  
 SHIELD: C2680,T=0.20MM,NICKEL PLATING ON ALL AREA.  
 TERMINAL: PHOSPHOR BRONZE C5210,T=0.35MM,  
 6U" GOLD PLATING ON CONTACT AREA.

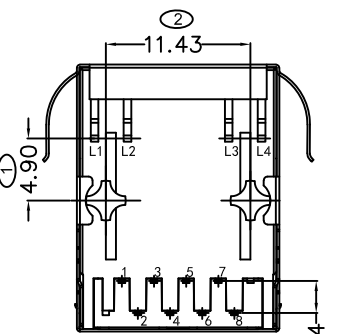
**MECHANICAL:**

DURABILITY: 750 CYCLES MIN.  
 MATING FORCE: 23N MAX.  
 OPERATING TEMPERATURE: -40°C~+85°C.  
 STORAGE TEMPERATURE: -40°C~+85°C.

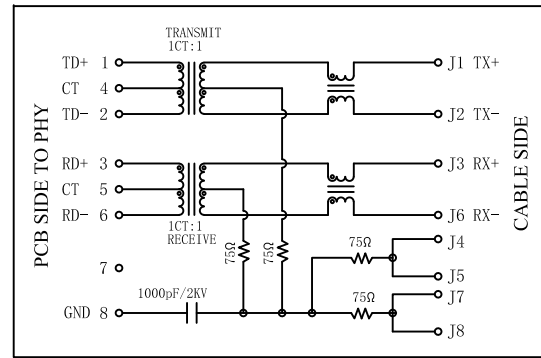
**Electrical**

1. Turn ratio: 1~2: J1~J2=1CT:1CT(±2%).  
 3~6: J3~J6=1CT:1CT(±2%).  
 2. OCL: 350uH Min. @ 100KHz 100mV 8mA DC BIAS.

B



**SCHEMATIC :**

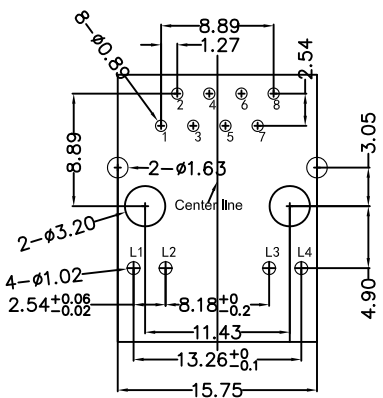


※ SIGN "⊗" IS IMPORTANCE DIMENSION

**ELECTRICAL SPECIFICATIONS AT 25°C**

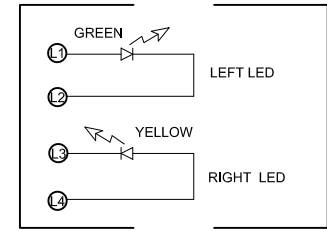
INSERTION LOSS db max	Return Loss dB min				Crosstalk(db TYP)			Common Mode Rejection (dB TYP)		Hipot(vrms)
	1-30MHz	30-60MHz	60-80MHz	1-100MHz	1-30MHz	30-60MHz	60-80MHz	1-50MHz	50-150MHz	
-1.0	-20	-16	-10	-40	-35	-30	-35	-35	1500	

C



RECOMMENDED PCB LAYOUT VIEWED FROM COMPONENT SIDE

**LED Configuration :**



D

E

<p><b>KEM 奇速科技有限公司</b>                  Qi-Speed Technology CO., LTD.</p>				單位: mm		繪圖 DRAWING		設計 DESIGNED		審核 CHECKED BY		核准 APPROVAL BY		產品名稱: PRODUCT NAME RJ45+TRANSFORMER 10/100BASE WITH LED G/Y	
				比例:		JOHNY		JOHNY		LUKE		JAMES		料號:KRJ-14003-8806-GY-C PART NUMBER	
公差: .X ±0.38 .XX ±0.25 .XXX ±0.13		日期: 2022/9/13		版本		修改事項		修改日期		版本: REV. 0		圖號:KRJ-14003-8806-GY-C-1 DRAWING NO		版本: REV. 0	

F

1 2 3 4 5 6 7 8 9